

LIMITED WARRANTY

This product is warranted to the original consumer purchaser to be free from defects in materials and workmanship under normal installation, use and service for a period of one (1) year from the date of purchase as shown on the purchaser's receipt.

The obligation of Rolls Corporation under this warranty shall be limited to repair or replacement (at our option), during the warranty period of any part which proves defective in material or workmanship under normal installation, use and service, provided the product is returned to Rolls Corporation, TRANSPORTATION CHARGES PREPAID. Products returned to us or to an authorized Service Center must be accompanied by a copy of the purchase receipt. In the absence of such purchase receipt, the warranty period shall be one (1) year from the date of manufacture.

This warranty shall be invalid if the product is damaged as a result of defacement, misuse, abuse, neglect, accident, destruction or alteration of the serial number, improper electrical voltages or currents, repair, alteration or maintenance by any person or party other than our own service facility or an authorized Service Center, or any use violative of instructions furnished by us.

This one-year warranty is in lieu of all expressed warranties, obligations or liabilities. ANY IMPLIED WARRANTIES, OBLIGATIONS, OR LIABILITIES, INCLUDING BUT NOT LIMITED TO THE IMPLIED WARRANTIES OF MERCHANTABILITY AND FITNESS FOR A PARTICULAR PURPOSE, SHALL BE LIMITED IN DURATION TO THE ONE YEAR DURATION OF THIS WRITTEN LIMITED WARRANTY. Some states do not allow limitations on how long an implied warranty lasts, so the above limitation may not apply to you.

IN NO EVENT SHALL WE BE LIABLE FOR ANY SPECIAL, INCIDENTAL OR CONSEQUENTIAL DAMAGES FOR BREACH OF THIS OR ANY OTHER WARRANTY, EXPRESSED OR IMPLIED, WHATSOEVER. Some states do not allow the exclusion or limitation of special, incidental or consequential damages so the above limitation or exclusion may not apply to you. This warranty gives you specific legal rights, and you may also have other rights which vary from state to state.

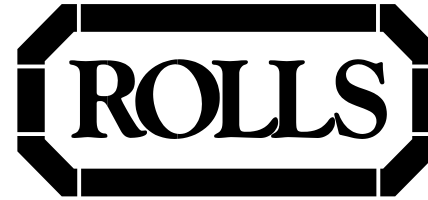
VP29 Phono Preamp

- Converts RIAA Phono signals to Line Level
- Works well with magnetic phono pickups
- Stereo RCA and 1/4" outputs

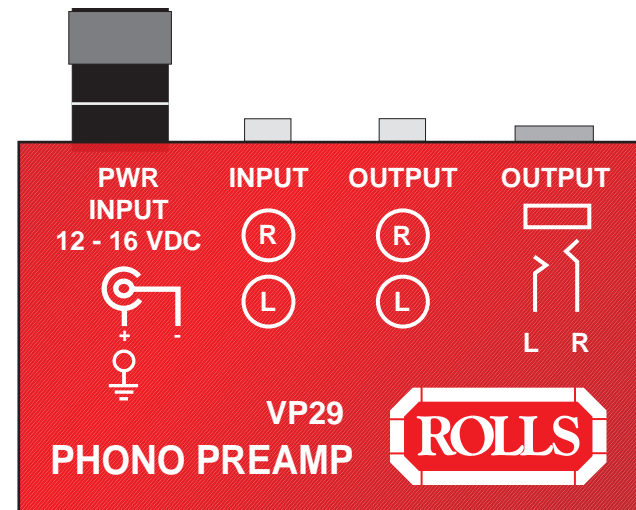
Phono players require special equalization because of the frequency response of recording on vinyl. The VP29 equalizes and amplifies the phono signal to a clean, and full line level for professional amplification.



Rolls Corporation
Salt Lake City, UT
7/99



VP29 Phono Preamp



OWNERS MANUAL

Thank you for your purchase of the Rolls VP29 Phono Preamp. The VP29 is designed to amplify an RIAA equalized phono signal to a Hi-Fi level signal, and it works well with magnetic pickups.

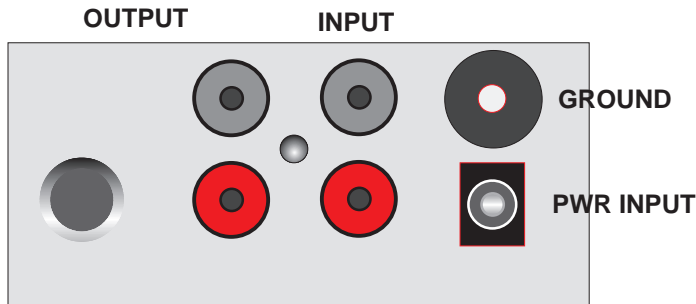
INSPECTION

1. Unpack and Inspect the VP29 package
Your VP29 was carefully packed at the factory in a protective carton. Nonetheless, be sure to examine the unit and the carton for any signs of damage that may have occurred during shipping. If obvious physical damage is noticed, contact the carrier immediately to make a damage claim. We suggest saving the shipping carton and packing materials for safely transporting the unit in the future.

2. Please complete the Warranty Registration Card and return it to the factory.

DESCRIPTION

PWR INPUT: 12 - 16 Volts DC, tip negative jack.
GROUND CONNECTOR: Connects to the Ground of the phono player
INPUT: Stereo RCA jacks for connection to the phono player
OUTPUT: Stereo RCA jacks for connection to a stereo system or amplifier.
OUTPUT: 1/4" Tip-Ring-Sleeve jack for connection to a stereo amplifier.

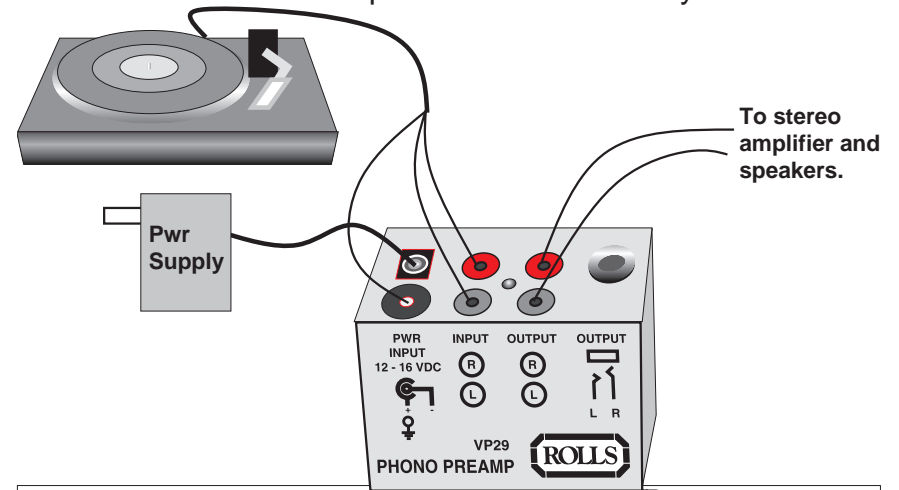


SPECIFICATIONS

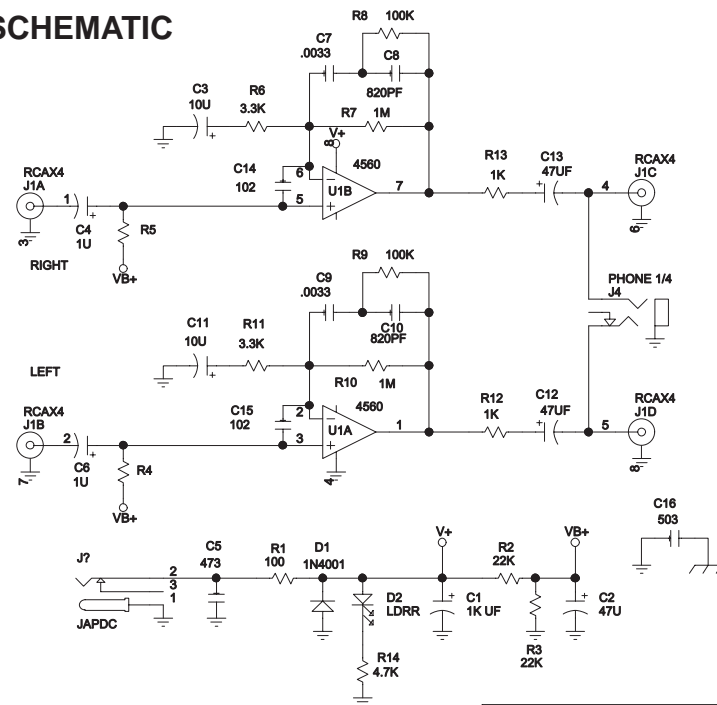
I/ O Connectors: RCA, 1/4" TRS Stereo
PWR: 12 - 18 VDC
Size: 3.25 x 2 x 1.5
Weight: 1 lb
Indicator: 1 Power LED

OPERATION

Shown below is an example of how to connect your VP29.



SCHEMATIC



Salt Lake City, Utah 84107		
Title	VINYL PREAMP VP29	
Size:	Document Number: VP29.SCH	Rev:
	Ba	
Date: 26-Mar-1999	Sheet 1 of 1	