



The Original Innovators

## Installation instruction for Security Locks

Schaller Security Locks consist of the following components (see diagram):

1. Base (also called the strap button, strap pin or end pin)
2. Screw for the base (i.e. button or pin)
3. Lock (supplied with nut and washer), consisting of casing with pin, spring and ball.
4. Felt/rubber pad
5. Nut

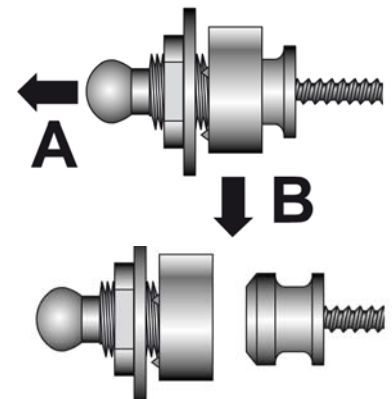


### 1. Attaching the base to your guitar

#### **Preparation:**

Using a suitable screwdriver, remove the existing strap buttons from the guitar and remove any felt or rubber pads (keep these for future re-use if desired).

Separate the two parts of the Schaller Security Lock as shown in the adjacent illustration by pulling the ball away from the lock in the direction of arrow A. This releases the locking mechanism (the pin) from the base. You can now remove the lock in the direction of arrow B.



#### **Mounting:**

Screw the base/strap button to the body of your guitar as shown in the illustration, using the screw supplied with the Security Lock. Re-use the existing felt/rubber pad, or use a new one if required.

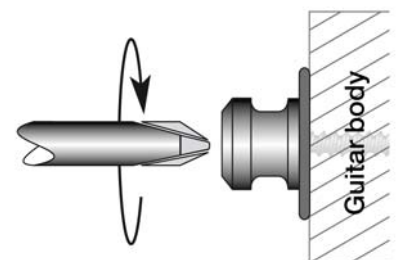


**To protect your guitar, ensure that the screwdriver does not slip.**

If the existing screw hole is too small for the new strap button screw, re-drill it to the correct size.

If the existing screw hole is too large, please have the new bases/strap buttons fitted by a professional guitar technician ... or follow our recommendation in FAQ no. 40001.

We assume no liability for alternative solutions to this problem recommended on the internet etc.



## 2. Attaching the Schaller Locks to your guitar strap

Remove the nut and the washer from the lock.

Insert the lock through the hole in the end of the strap.

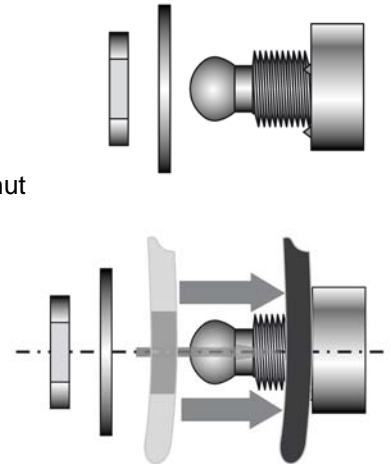
The lock should be on the inner side of the strap end, and the threaded post for the nut and washer should be on the outer side.

The open side of the lock (into which the base is inserted) should face upwards, i.e. towards the center of the strap's length.

If the hole in the strap end is too small or if the leather is too thick, it should be properly altered by a professional (e.g. a shoemaker).



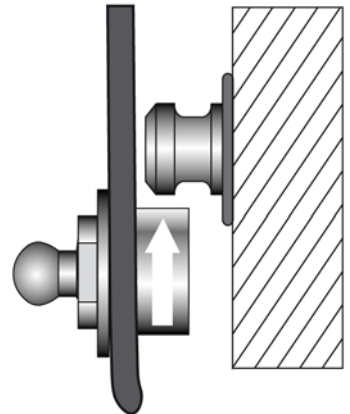
**The nut must sit properly on the thread and must be firmly tightened.**



## 3. Using Schaller Security Locks

Please ensure that the lock latches tightly onto the strap button (this is indicated by a "click" sound).

Check periodically that the security locks are firmly attached, and re-tighten the screw on the strap button and the nut on the lock/guitar strap end as required.



**We hope you have a great time with your Schaller Security Locks!**

### **Schaller Electronic GmbH**

An der Heide 15  
92353 Postbauer-Heng  
Germany

Phone: 0049 (0)9180 910-0

Fax: 0049 (0)9180 2600

E-Mail: [info@schaller-electronic.com](mailto:info@schaller-electronic.com)

Web: [www.schaller-electronic.com](http://www.schaller-electronic.com)

