

INTRODUCTION

Thank you for purchasing the PB23 Mic Power I 48 Volt Phantom Power Supply. This unit is designed and manufactured to provide 48 volts of clean dc power for your favorite condenser microphone. Powered microphones provide much greater dynamic range, lower noise, and better sound quality.

OPERATION

Connect a condenser microphone to a three conductor XLR cable, and to the Input connector on the PB23. Connect the PB23 Output to a mixer or other audio input device via another XLR cable.

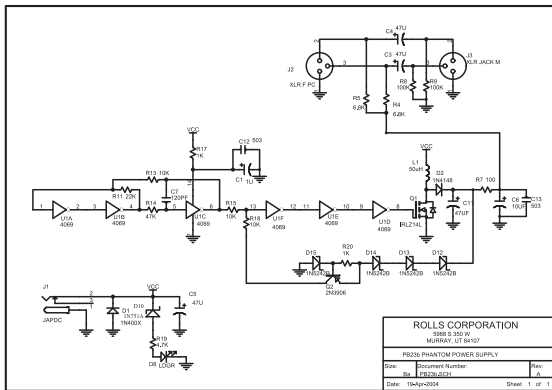
Apply power to the unit by connecting the enclosed adapter to an AC outlet and to the 12VDC Power jack. The LED on the front of the unit will light. The PB23 provides no audio gain as it is not a microphone preamp.

SPECIFICATIONS

Phantom Voltage: 48V
 Jacks: Male and Female XLR jacks, 5mm DC input jack
 Power Input: 12 - 18 VCD (adapter included)
 Size: 3" x 2.75" x 1.5"
 Weight: 1 lb (.45 Kg)

LIMITED WARRANTY

This product is warranted to the original consumer purchaser to be free from defects in materials and workmanship under normal installation, use and service for a period of one (1) year from the date of purchase as shown on the purchaser's receipt. The obligation of Rolls Corporation under this warranty shall be limited to repair or replacement (at our option), during the warranty period of any part which proves defective in material or workmanship under normal installation, use and service, provided the product is returned to Rolls Corporation, TRANSPORTATION CHARGES PREPAID. Products returned to us or to an authorized Service Center must be accompanied by a copy of the purchase receipt. In the absence of such purchase receipt, the warranty period shall be one (1) year from the date of manufacture. This warranty shall be invalid if the product is damaged as a result of defacement, misuse, abuse, neglect, accident, destruction or alteration of the serial number, improper electrical voltages or currents, repair, alteration or maintenance by any person or party other than our own service facility or an authorized Service Center, or any use violative of instructions furnished by us. This one-year warranty is in lieu of all expressed warranties, obligations or liabilities. ANY IMPLIED WARRANTIES, OBLIGATIONS, OR LIABILITIES, INCLUDING BUT NOT LIMITED TO THE IMPLIED WARRANTIES OF MERCHANTABILITY AND FITNESS FOR A PARTICULAR PURPOSE, SHALL BE LIMITED IN DURATION TO THE ONE YEAR DURATION OF THIS WRITTEN LIMITED WARRANTY. Some states do not allow limitations on how long an implied warranty lasts, so the above limitation may not apply to you. IN NO EVENT SHALL WE BE LIABLE FOR ANY SPECIAL, INCIDENTAL OR CONSEQUENTIAL DAMAGES FOR BREACH OF THIS OR ANY OTHER WARRANTY, EXPRESSED OR IMPLIED, WHATSOEVER. Some states do not allow the exclusion or limitation of special, incidental or consequential damages so the above limitation or exclusion may not apply to you. This warranty gives you specific legal rights, and you may also have other rights which vary from state to state.



clean, pure phantom power.
 ... anywhere you need 48 volts of

ROLLS

- Installation
 - Live
 - Studio

PB23 MIC POWER I

Phantom Power

PB23 48 Volt

ROLLS

PB23 MIC POWER I

- Powers a condenser microphone requiring phantom power
- AC adapter included
- High frequency switching power supply to eliminate noise

The PB23 is for powering a phantom powered microphone with a solid 48 VDC. The unit uses a 100kHz switching power supply to eliminate noise generated by common power supplies. The PB23 has pull-down resistors so it will work with any mixer.



Rolls Corporation
 Salt Lake City, UT
 6/04