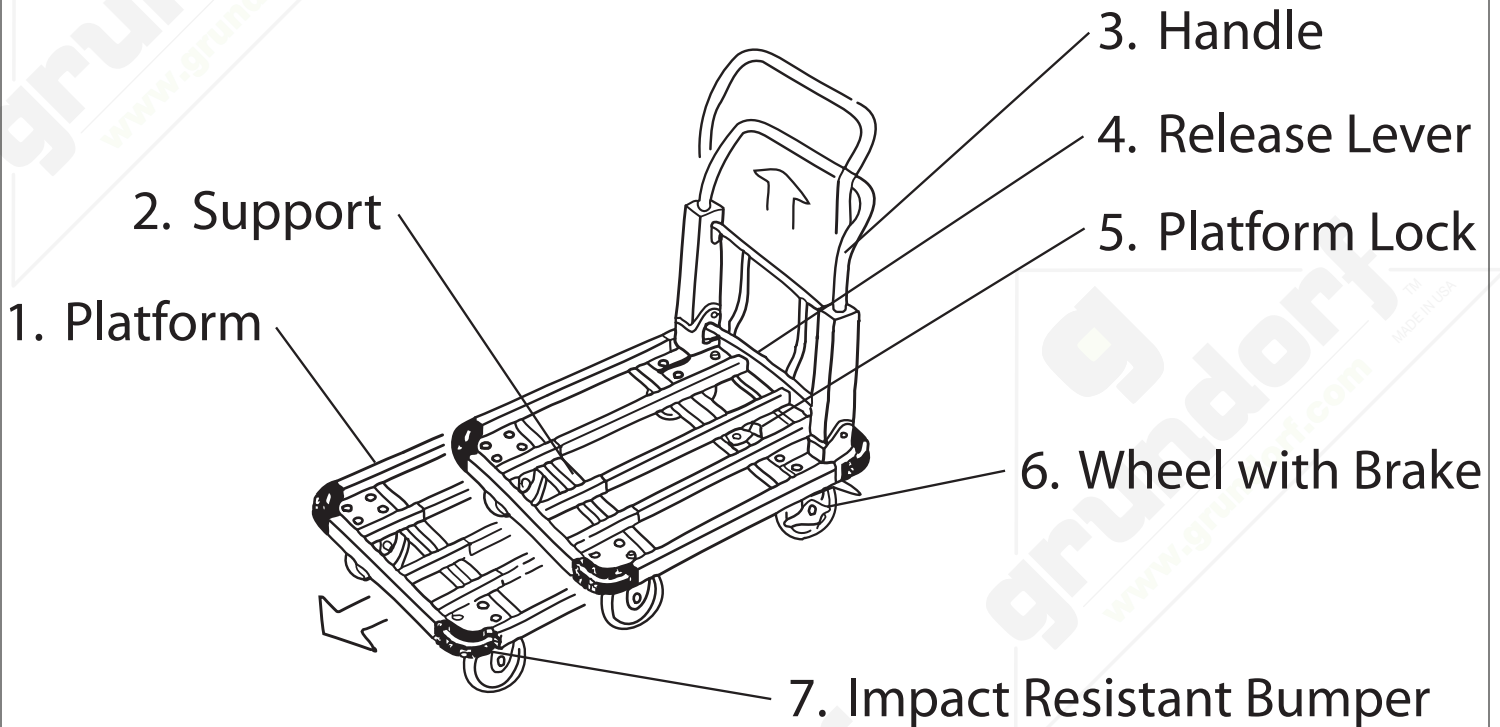
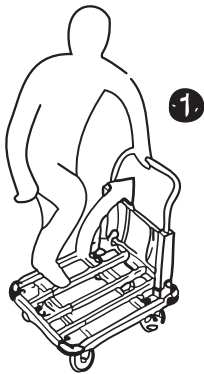


# INSTRUCTIONS



## INSTRUCTIONS



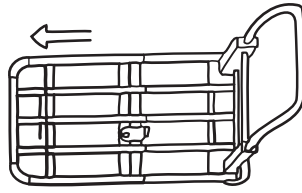
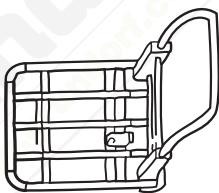
**1.** To raise handle, firmly press the platform and lift the handle up until it is securely locked into position.



**2.** To extend handle, firmly hold the platform and pull the handle up until it is locked into position.



**3.** To lower handle, press the release lever and push down and forward to release handle from its locked position



**4.** To retract and extend platform, lift platform lock and push/pull until it is securely locked into position.



**5.** Caution, take care of hand placement when extending and retracting platform.